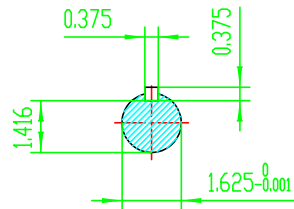
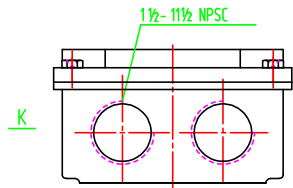
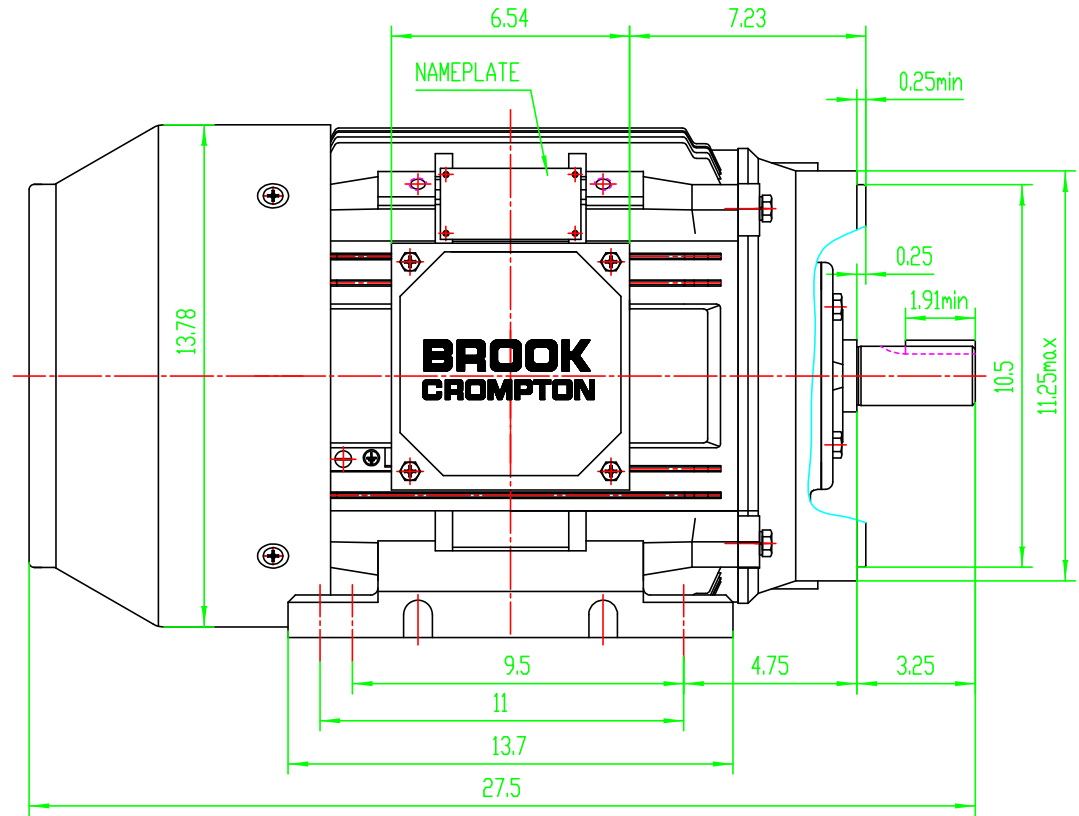
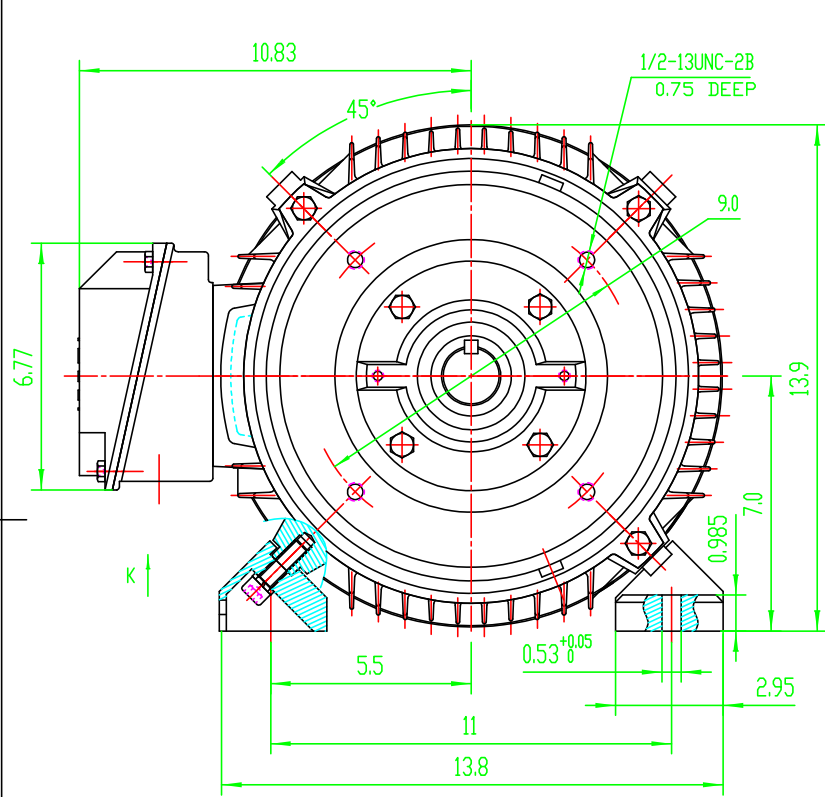


Product Information Packet: 284TSC25U2B 25HP 3530RPM 3PH 208-230/460V/60HZ TEFC F1



				NEMA TEFC 286TSC			
				NO:		1HMY.010.C018	
Design		Standard		STEP MARK		1:3.5	
Checker		Allow		SDRT		Cast iron Motor	
Auditing		Date					